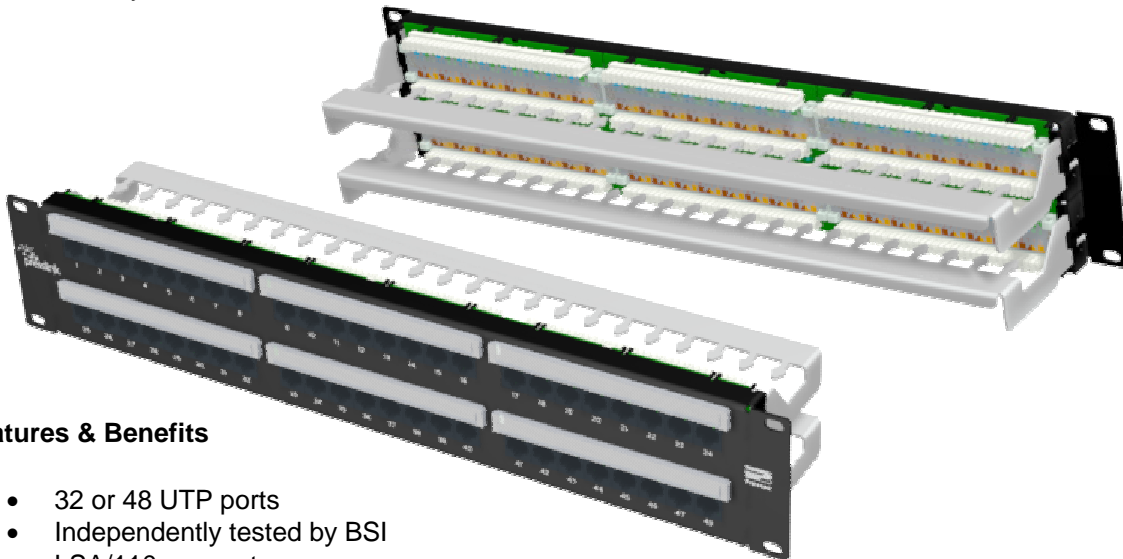


**Pressac Part Numbers 32 Port D60.10690.PS0XX**  
**48 Port D60.10692.PS0XX**

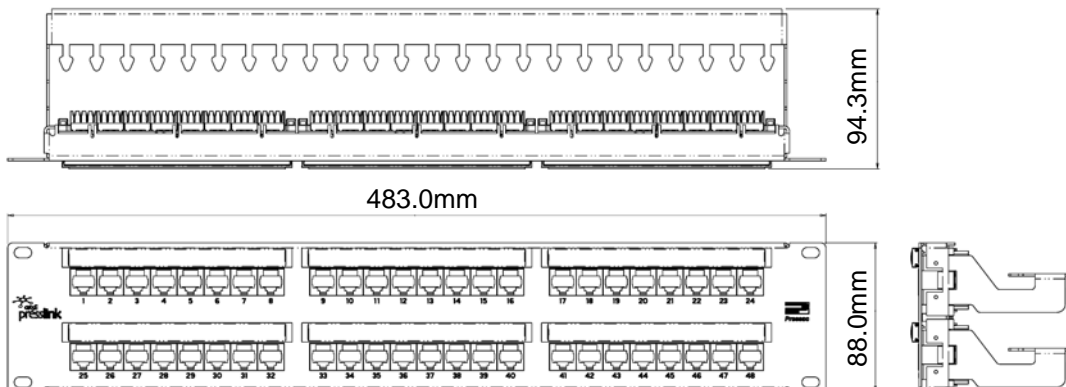
### Product Overview

The Pressac Cat5e RJ45 2U patch panels are available in either 32 port or 48 port versions. Designed and independently tested to TIA/EIA-568-B.2-1 specifications by BSI, they are rich in installer friendly features.



### Features & Benefits

- 32 or 48 UTP ports
- Independently tested by BSI
- LSA/110 connectors
- Removable 'Arrow' style cable management bar
- Convex removable window labels
- Side or rear cable management features
- Fixings and cable ties included



### Additional Information

The 2U range of patch panels are designed for quick and easy installation with the minimum of installation time. The removable 'Arrow' style cable management bars give the installer the option of rear cable management or with the bar removed cables can be fed in and secured from either side. Insertion of wires in the correct IDC's is made simple by the colour coded 568B wiring schedule label.

**Pressac Communications Limited**  
 Glaisdale Drive West, Bilborough, Nottingham NG8 4GY  
 Tel: +44 (0)115 936 5258 Fax: +44 (0)115 936 5252  
 E-mail: [sales@presscomm.co.uk](mailto:sales@presscomm.co.uk)

**Technical Support**  
 Tel: +44 (0)115 936 5238  
 E-mail: [tech\\_support@presscomm.co.uk](mailto:tech_support@presscomm.co.uk)



The Pressac website [www.presscomm.co.uk](http://www.presscomm.co.uk) has further information on our company, services and products