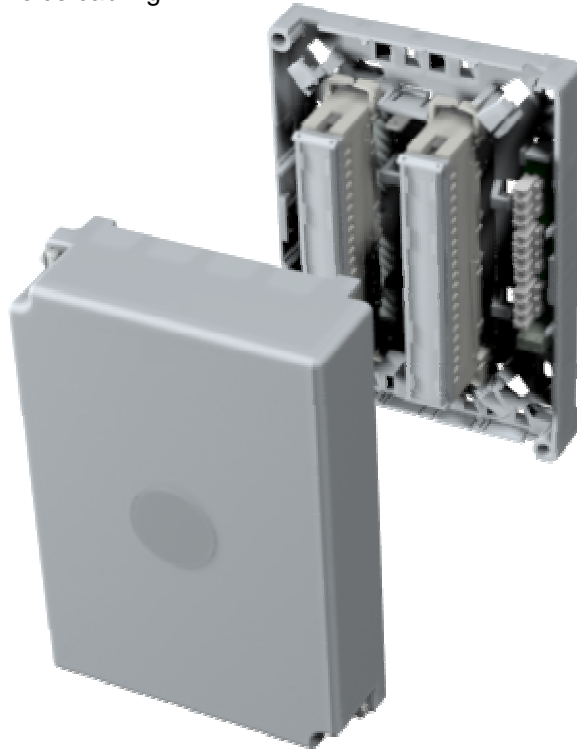


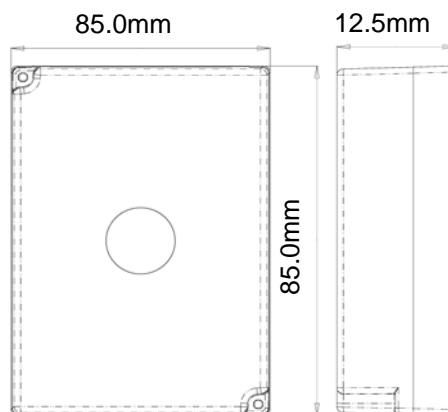
Product Overview

The P201D Connection Box is a wall mounted 20 pair voice connection box manufactured in Mid Grey Flame Retardant PVC. Supplied with 2 off 10 pair IDC disconnection strips and designation strips, it is primarily used for connection of CW1308 voice cabling.



Features and Benefits

- Cable access is via lid knockout features.
- Internal cable management features incorporating integral jumper rings and a 10 way earth bar.
- Two captive screws ensure the lid is kept firmly in place.
- A removable button in the centre of the lid allows for customised logo's.
- Mark up field to underside of lid for labelling and identification
- Optional deep lid version allows for fitment of protector mount 5B, providing over voltage protection using gas discharge tubes



Pressac Communications Limited

Glaisdale Drive West, Bilborough, Nottingham NG8 4GY

Tel: +44 (0)115 936 5258 Fax: +44 (0)115 936 5252

E-mail: sales@presscomm.co.uk

Technical Support

Tel: +44 (0)115 936 5238

E-mail: tech_support@presscomm.co.uk

