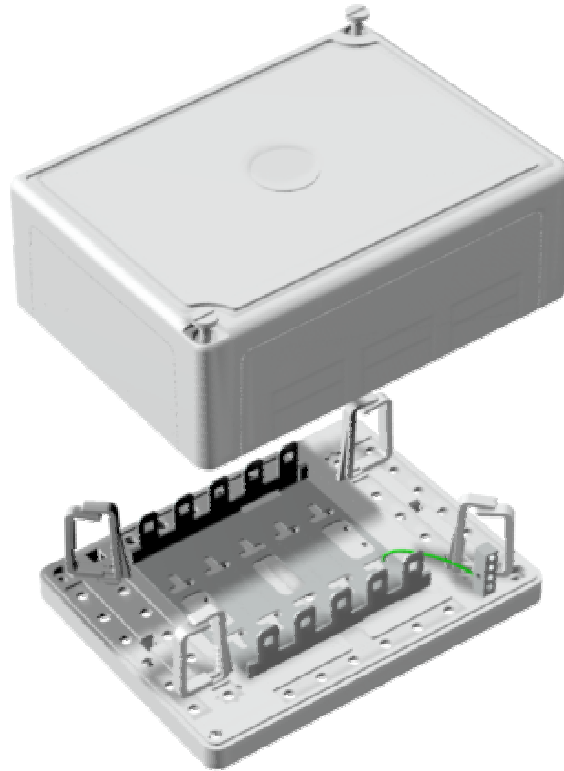


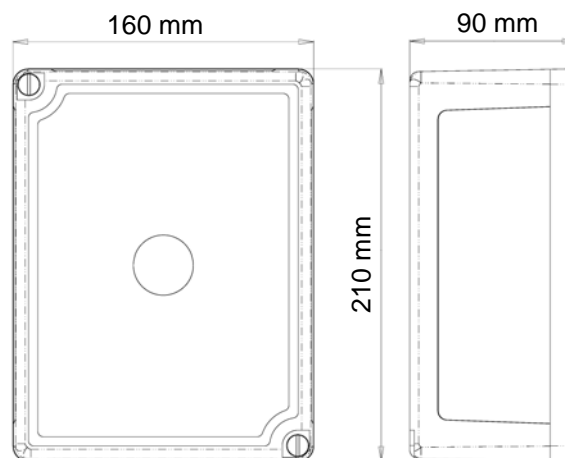
Product Overview

The 251A Connection Box is a wall mounted 50 pair voice connection box manufactured in Mid Grey Flame Retardant PVC. Supplied with a 5 way backmount frame which will accept 5 off 10 pair disconnection strips, it is primarily used for connection of CW1308 voice cabling.



Features and Benefits

- Cable access is via side panel tear out features.
- Internal cable management via 4 off 37B jumper rings.
- The earth bar assembly provides a common earthing point.
- Side and end panels can be removed to allow side by side mounting.
- Captive quarter turn locking posts ensure that the lid can be easily removed and locked.
- A removable button in the centre of the lid allows for customised logo's.



data sheet

Pressac Communications Limited

Glaisdale Drive West, Bilborough, Nottingham NG8 4GY

Tel: +44 (0)115 936 5258 Fax: +44 (0)115 936 5252

E-mail: sales@presscomm.co.uk

Technical Support

Tel: +44 (0)115 936 5238

E-mail: tech_support@presscomm.co.uk

