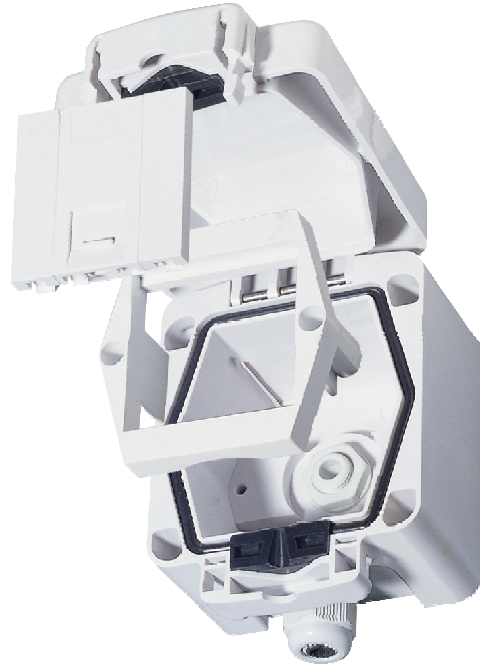


Product Overview

The NTE1A is a highly durable waterproof enclosure designed to extend voice and data communications systems into damp or external environments.

Features & Benefits

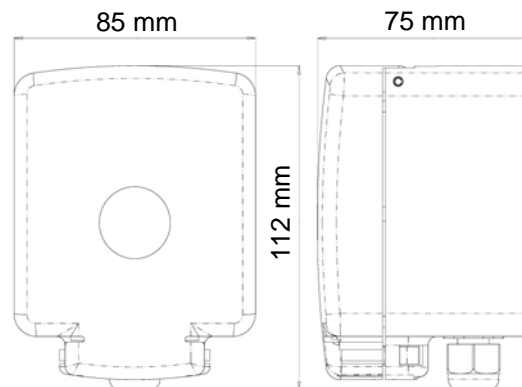
- Manufactured in durable polycarbonate
- IP56 rated
- Accepts standard 50 x 25 (mm) modules
- Supplied with BT voice module as standard
- Includes stainless steel DIN rail
- UK Manufactured



Additional Information

The NTE1A waterproof box lends itself perfectly to external environments, whether installed in marinas, caravan parks, abattoirs or swimming pools; the NTE1A offers an ideal solution to keeping connections dry.

Designed to accept RJ45, RJ11, ISDN or voice 50 x 25 (mm) Eurostyle modules, the NTE offers the installer a greater range of flexibility than previously enjoyed.



data sheet

Pressac Communications Limited

Glaisdale Drive West, Bilborough, Nottingham NG8 4GY

Tel: +44 (0)115 936 5258 Fax: +44 (0)115 936 5252

E-mail: sales@presscomm.co.uk

Technical Support

Tel: +44 (0)115 936 5238

E-mail: tech_support@presscomm.co.uk

