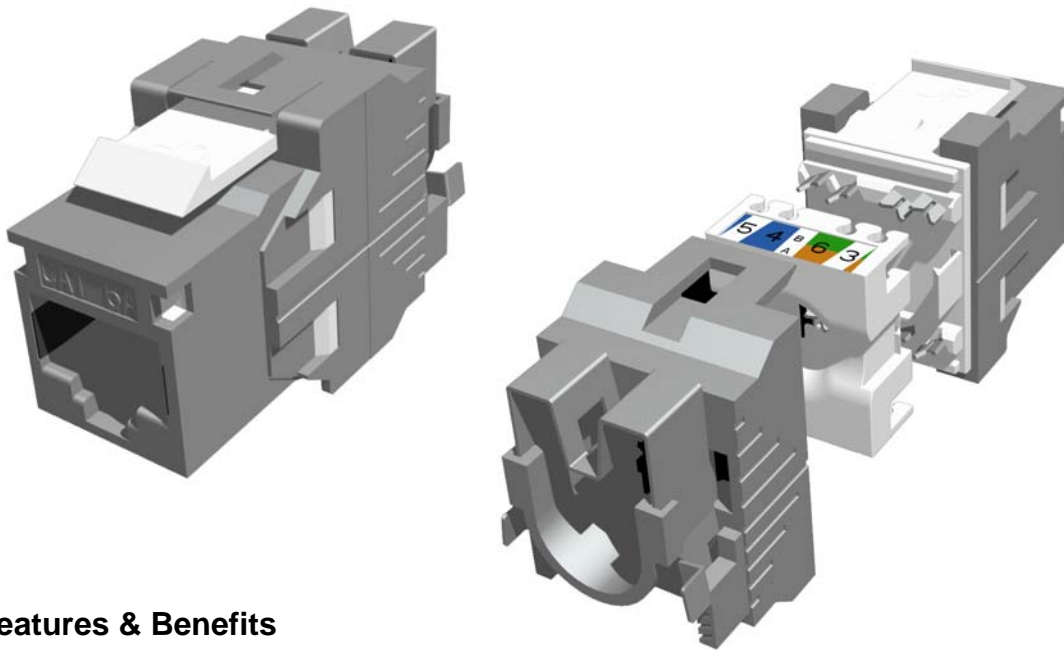


## Product Overview

The Pressac Cat6A Keystone Module is a shielded RJ45 module and forms the building block of the Pressac Zeta6A Cat6A offering. Compatible with the industry standard keystone footprint, it designed for use in both patch panels and work area outlets.

Cable dressing and is made easy by the 568A/B colour coded stuffing cap, once dressed, the cables are terminated and cropped using the all in one termination tool. (available separately)



## Features & Benefits

- Industry standard Keystone Module
- Fully shielded Cat6A performance to 500 MHz
- Cable dressing and termination using stuffer cap
- Snap together final assy requires simple termination tool (available separately)
- 3<sup>rd</sup> party tested Component Compliant to ANSI/TIA/EIA-568-C.2 and ISO/IEC 11801 amendment 2:2010, Category 6A

## Additional Information

This product can be used as part of the Pressac Communications 25 year Zeta6A warranty program

**Pressac Communications Limited**  
Glaisdale Drive West, Bilborough, Nottingham NG8 4GY  
Tel: +44 (0)115 936 5258 Fax: +44 (0)115 936 5252  
E-mail: [sales@presscomm.co.uk](mailto:sales@presscomm.co.uk)

**Technical Support**  
Tel: +44 (0)115 936 5238  
E-mail: [tech\\_support@presscomm.co.uk](mailto:tech_support@presscomm.co.uk)



The Pressac website [www.presscomm.co.uk](http://www.presscomm.co.uk) has further information on our company, services and products