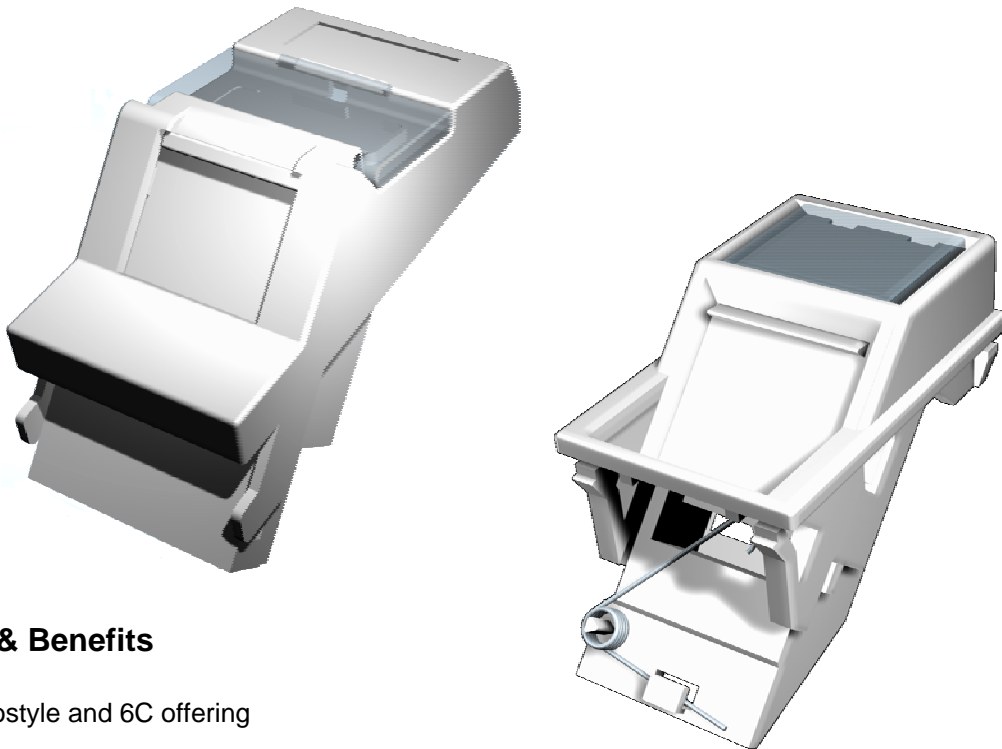


Pressac Part Numbers – Eurostyle 46.60002
6C 46.60006

Product Overview

The Pressac Cat6A Keystone adapters are designed to accept the Pressac Cat6A keystone modules. Available in both Eurostyle (faceplate) and 6C (floorbox) variants, the adapters are angled which offers the benefit of reduced back box depth being required on installation. Both units are moulded from V0 flame retardant material, have shuttered access for dust ingress protection. In addition, they both have label feature options on the front as standard.



Features & Benefits

- Eurostyle and 6C offering
- Moulded from V0 rated material
- Fully shuttered apertures
- Front label feature as standard
- Angled presentation reduces back box depth

Additional Information

This product can be used as part of the Pressac Communications 25 year Zeta6A warranty program

Pressac Communications Limited

Glaisdale Drive West, Bilborough, Nottingham NG8 4GY
Tel: +44 (0)115 936 5258 Fax: +44 (0)115 936 5252
E-mail: sales@presscomm.co.uk

Technical Support

Tel: +44 (0)115 936 5238
E-mail: tech_support@presscomm.co.uk



The Pressac website www.presscomm.co.uk has further information on our company, services and products

data sheet